

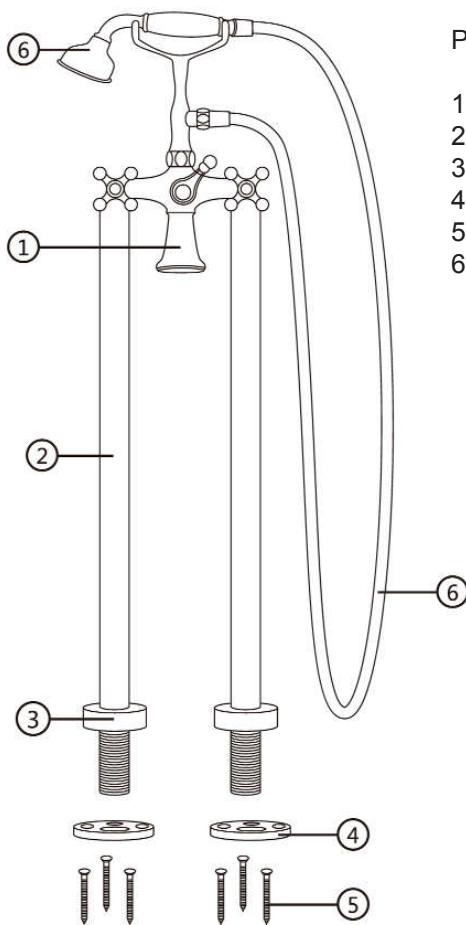
INSTALLATION INSTRUCTIONS

Parts Included

- 1 Faucet Body with Spout and Handles • 1 Handshower with Hose • 2 Floor Escutcheons • Bath Supplies

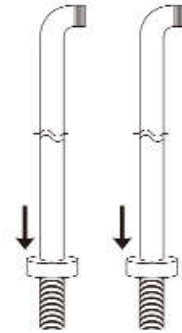
Tools Needed

- Adjustable Wrench • Slip Joint Pliers • Teflon Pipe Tape • Philips Screwdriver

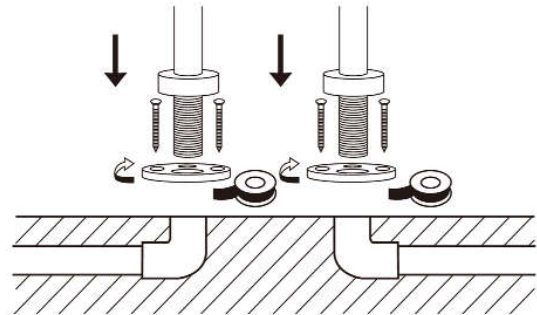


Parts List:

1. Tub Filler Spout with Body
2. Bath Supplies
3. Floor Escutcheons
4. Cover Plates
5. Wood Screws
6. Hand Shower with Hose



1. Slide floor escutcheons (4) on to Bath Supplies (2).



2. Wrap threaded ends of Bath Supplies (2) with teflon tape and thread through Cover Plates (4). Secure Cover Plates (4) to floor with Screws (5) provided. Thread enough through floor to ensure water connections can be done while testing height to ensure proper placement of tub filler over tub rim. Slide Floor Escutcheons (3) down to conceal Cover Plates.

Cleaning Instructions

Wipe this whole set off with warm water and a soft cloth. DO NOT use soaps, cleansers, or brass cleaners as they will disintegrate the protective lacquer coating and leave the brass exposed causing it to tarnish.

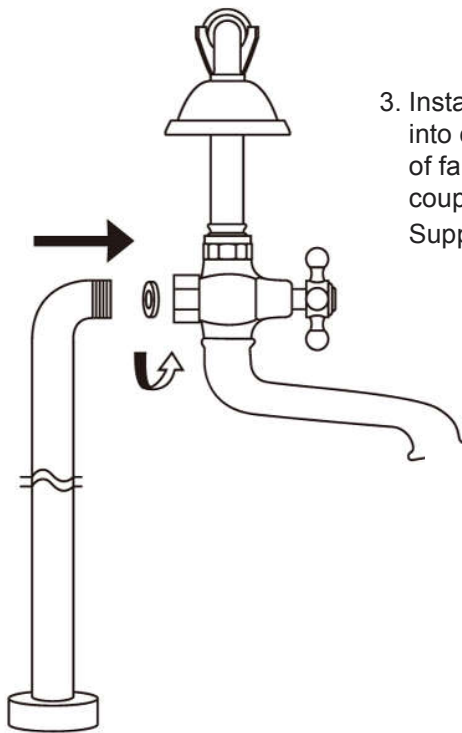
INSTALLATION INSTRUCTIONS

Parts Included

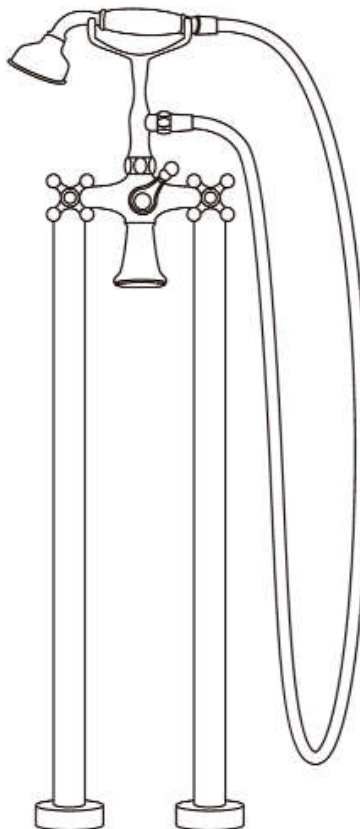
- 1 Faucet Body with Spout and Handles • 1 Handshower with Hose • 2 Floor Escutcheons • Bath Supplies

Tools Needed

- Adjustable Wrench • Slip Joint Pliers • Teflon Pipe Tape • Philips Screwdriver



3. Install 2 seal washers into couplings on back of faucet body. Thread couplings to Floor Supplies (2).



4. Connect the Handshower Hose (6) to both the Handshower and Faucet Body (2). Connect to water supply beneath floor and turn faucet on to test for leaks. Test all 3 handles to ensure water connections for hot and cold are correct and diverter for handshower works properly.

Cleaning Instructions

Wipe this whole set off with warm water and a soft cloth. DO NOT use soaps, cleansers, or brass cleaners as they will disintegrate the protective lacquer coating and leave the brass exposed causing it to tarnish.